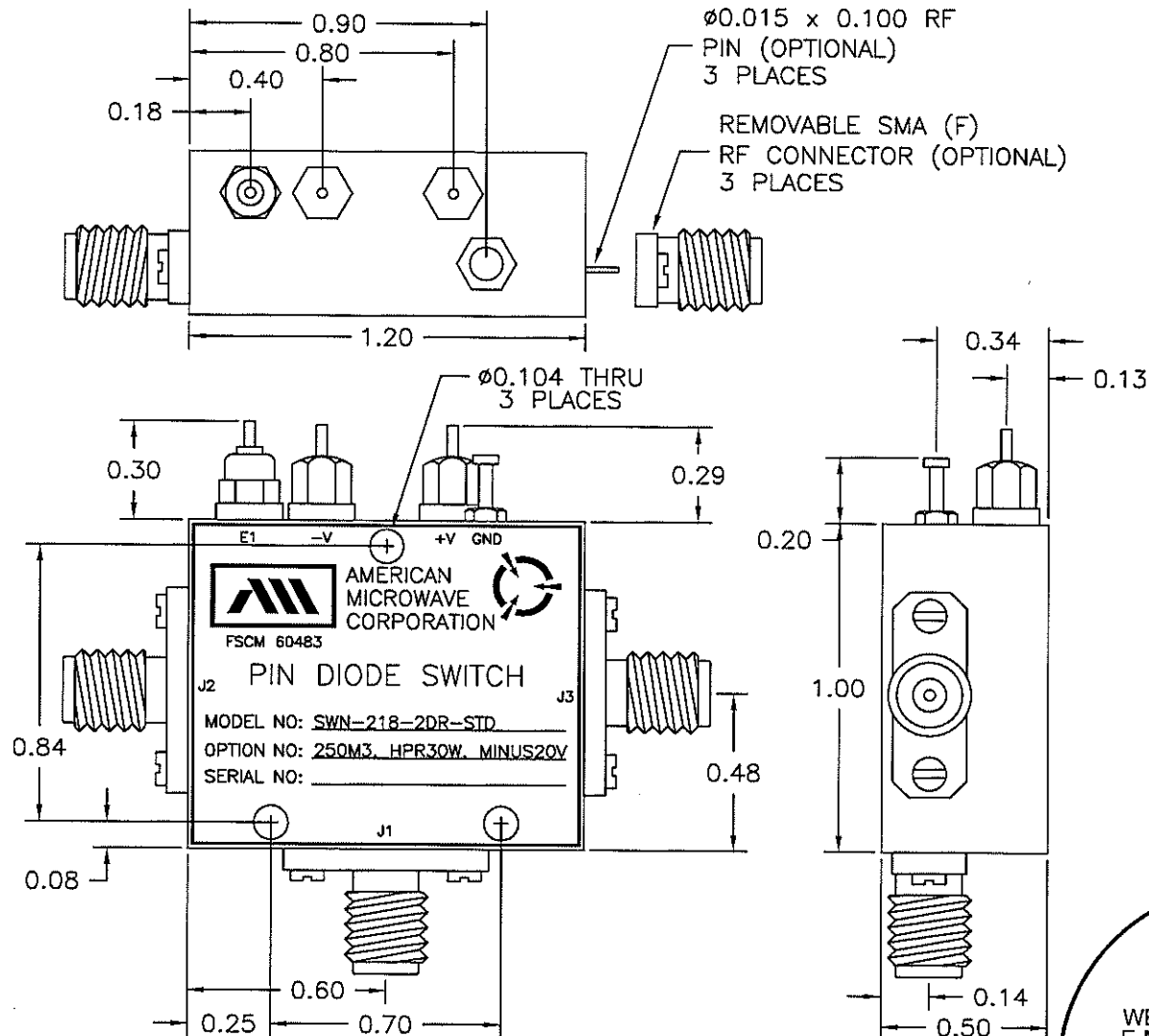


DESCRIPTION

AMC MODEL SWN-218-2DR-STD OPTION 250M3, HPR30W & MINUS20V IS A REFLECTIVE SINGLE POLE TWO THROW SWITCH DESIGNED FOR HIGH POWER APPLICATIONS BETWEEN A 250 MHz TO 3 GHz FREQUENCY RANGE.



MECHANICAL OUTLINE

AMERICAN MICROWAVE CORPORATION

7311-G GROVE ROAD
 FREDERICK, MARYLAND 21704 USA
 TEL: 301-662-4700 FAX: 301-662-4938
 WEBSITE: www.americanmicrowavecorp.com
 E-MAIL: sales@americanmicrowavecorp.com
 ISO 9001:2000 CERTIFIED



ALL DIMENSIONS ARE IN INCHES
 TOLERANCES:
 X.XX ±0.020
 X.XXX ±0.010

| APPROVALS | | DATE | TITLE | | | |
|-------------------|--|---------|--|----------|------------|------|
| DRAWN <i>KMS</i> | | 12/5/07 | MECHANICAL OUTLINE SWN-218-2DR-STD | | | |
| CHECKED <i>UK</i> | | 12/1/07 | OPTION: 250M3, HPR30W, MINUS20V 250 MHz-3 GHz, SINGLE POLE TWO THROW SWITCH | | | |
| ISSUED | | | SIZE | FSCM NO. | DWG NO. | REV. |
| | | | A | 60483 | 100-7638-2 | - |
| SCALE N:S | | | SHEET 2 OF 4 | | | |

DESCRIPTION

AMC MODEL SWN-218-2DR-STD OPTION 250M3, HPR30W & MINUS20V IS A REFLECTIVE SINGLE POLE TWO THROW SWITCH DESIGNED FOR HIGH POWER APPLICATIONS BETWEEN A 250 MHz TO 3 GHz FREQUENCY RANGE.

SPECIFICATIONS

- FREQUENCY RANGE: 250 MHz TO 3 GHz
- INSERTION LOSS: 2.5 dB MAXIMUM
- ISOLATION: 70 dB MINIMUM
- VSWR: 2.0:1
- DELAY ON: 100 nSec MAXIMUM
- DELAY OFF: 100 nSec MAXIMUM
- RF POWER: 30WATT CW COLD SWITCHING
- CONTROL: TTL SINGLE CONTROL
 LOGIC "0" = J1 TO J2 ON
 LOGIC "1" = J1 TO J3 ON
- POWER SUPPLY: +5V @ 100 mA MAXIMUM
 -20V @ 75 mA MAXIMUM
- CONNECTORS:
 RF: SMA FEMALE
 POWER: SOLDER PIN
 CONTROL: SOLDER PIN

OPTIONS:

- MINUS20V -20V POWER SUPPLY
- HPR30W: POWER HANDLING OF 30 WATTS
- 250M3: 250 MHz TO 3 GHz FREQUENCY RANGE

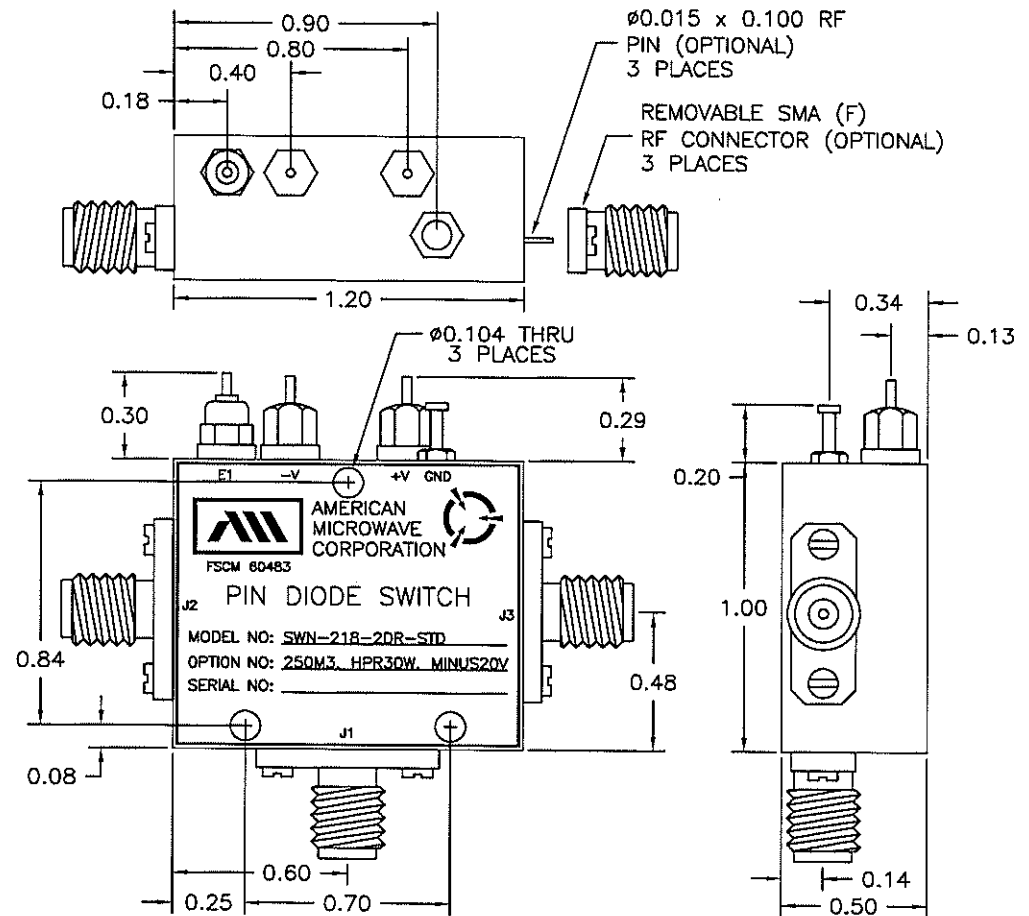
ENVIRONMENTAL RATINGS:

- TEMPERATURE: 0 TO +50°C (OPERATING)
 -65°C TO +125°C (STORAGE)
- HUMIDITY: MIL-STD-202F, METHOD 103B COND. B
- SHOCK: MIL-STD-202F, METHOD 213B COND. B
- VIBRATION: MIL-STD-202F, METHOD 204D COND. B
- ALTITUDE: MIL-STD-202F, METHOD 105C COND. B
- TEMPERATURE CYCLE: MIL-STD-202F, METHOD 107D COND. A

NOTE: SPECIFICATIONS WILL VARY OVER OPERATING TEMPERATURE
 NOTE: THE ABOVE SPECIFICATIONS ARE SUBJECT TO CHANGE OR REVISION

ALL DIMENSIONS ARE IN INCHES
 TOLERANCES:
 X.XX ±0.020
 X.XXX ±0.010

| REVISIONS | | | | |
|-----------|------|-------------------------------|---------|----------|
| ZONE | REV. | DESCRIPTION | DATE | APPROVED |
| - | - | ORIGINAL RELEASE JOB# 711222E | 12/5/07 | |



AMERICAN MICROWAVE CORPORATION

7311-G GROVE ROAD
 FREDERICK, MARYLAND 21704 USA
 TEL: 301-662-4700 FAX: 301-662-4938
 WEBSITE: www.americanmicrowavecorp.com
 E-MAIL: sales@americanmicrowavecorp.com
 ISO 9001:2000 CERTIFIED

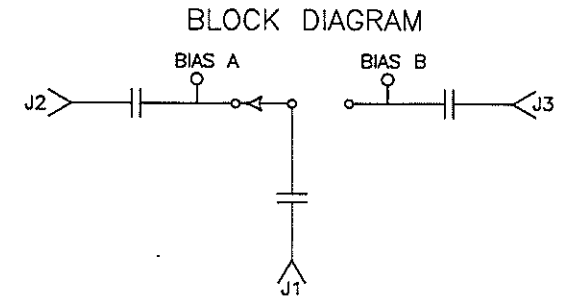
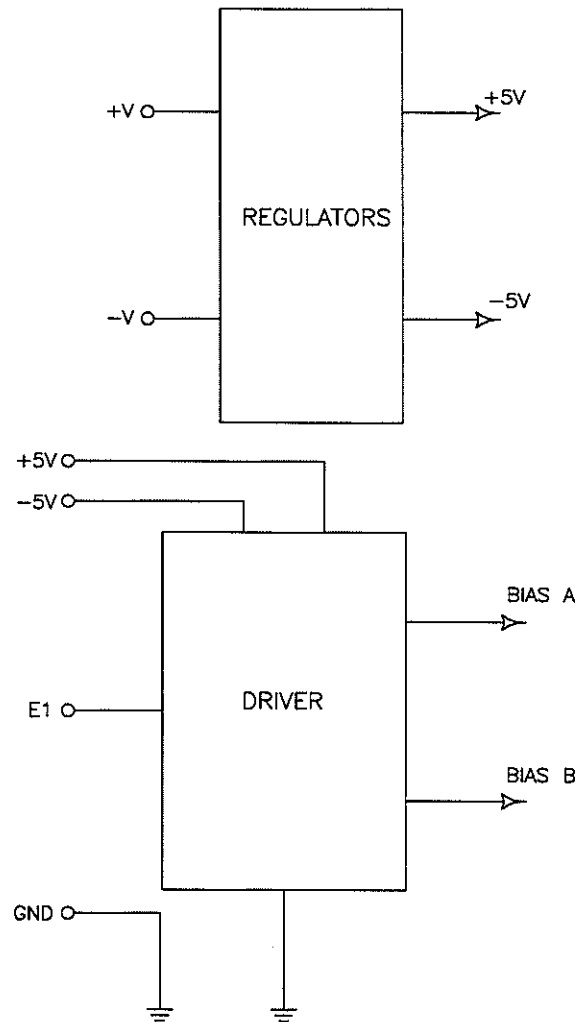


| APPROVALS | | DATE | TITLE | | |
|-----------|------------|------------|---|--|--|
| DRAWN | <i>KMS</i> | 12/5/07 | PRODUCT FEATURE SWN-218-2DR-STD | | |
| CHECKED | <i>JA</i> | 12/7/07 | OPTION: 250M3, HPR30W, MINUS20V | | |
| ISSUED | | | 250 MHz-3 GHz, SINGLE POLE TWO THROW SWITCH | | |
| SIZE | FSCM NO. | DWG NO. | REV. | | |
| A | 60483 | 100-7638-2 | - | | |
| SCALE N:S | | | SHEET 1 OF 4 | | |

DESCRIPTION

AMC MODEL SWN-218-2DR-STD OPTION 250M3, HPR30W & MINUS20V IS A REFLECTIVE SINGLE POLE TWO THROW SWITCH DESIGNED FOR HIGH POWER APPLICATIONS BETWEEN A 250 MHz TO 3 GHz FREQUENCY RANGE.

FUNCTIONAL BLOCK DIAGRAM



AMERICAN MICROWAVE CORPORATION

7311-G GROVE ROAD
 FREDERICK, MARYLAND 21704 USA
 TEL: 301-662-4700 FAX: 301-662-4938
 WEBSITE: www.americanmicrowavecorp.com
 E-MAIL: sales@americanmicrowavecorp.com
 ISO 9001:2000 CERTIFIED



| | | | | | | |
|-----------|----------|------------|---------------------------------|--|--------|--|
| APPROVALS | | DATE | TITLE | | | |
| DRAWN | | 12/5/07 | FUNCTIONAL BLOCK DIAGRAM | | | |
| CHECKED | | 12/7/07 | SWN-218-2DR-STD | | | |
| ISSUED | | | OPTION: 250M3, HPR30W, MINUS20V | | | |
| SIZE | PSCM NO. | DWG NO. | REV. | | | |
| A | 60483 | 100-7638-2 | - | | | |
| SCALE N:S | | | SHEET | | 3 OF 4 | |